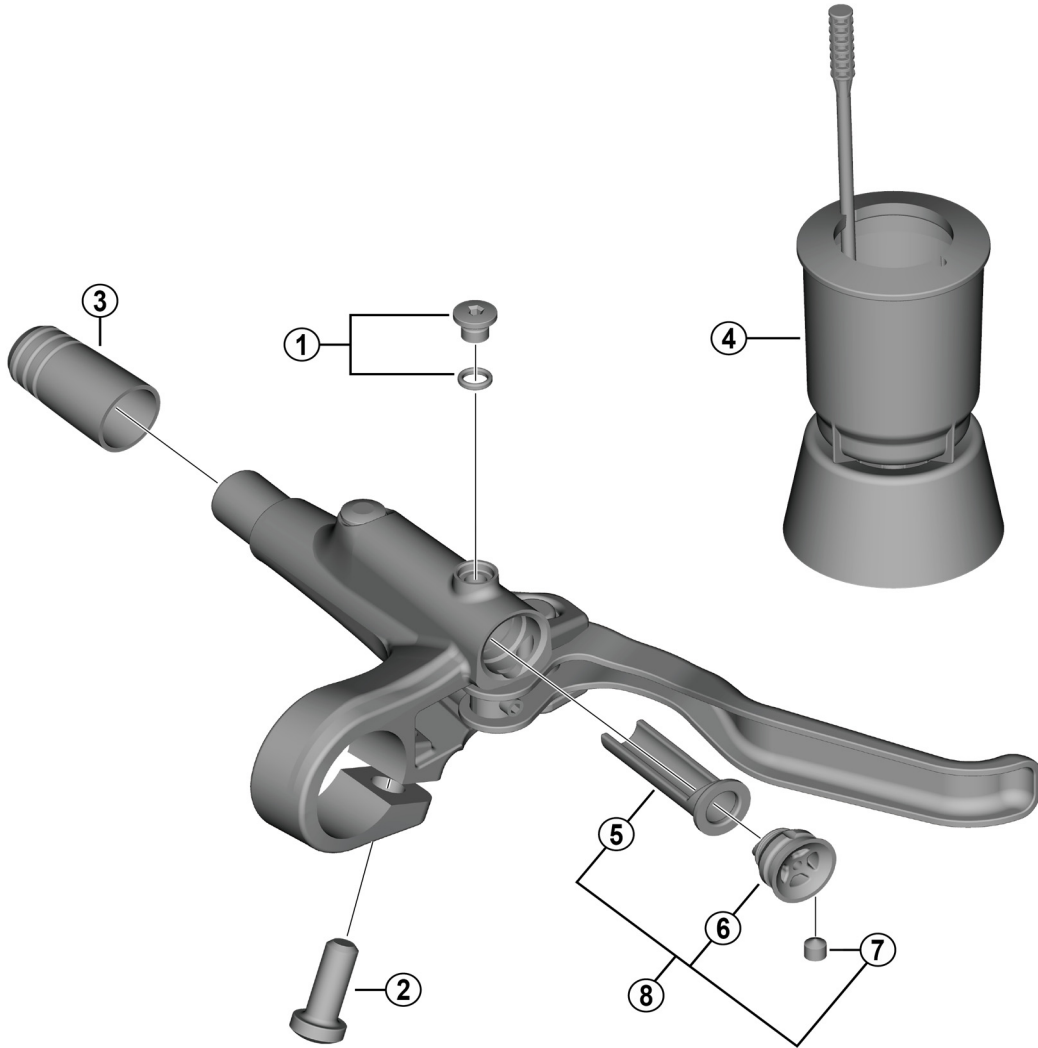


Brake Lever  
**BL-MT200** For Disc Brake



ITEM NO.	SHIMANO CODE NO.	DESCRIPTION
1	Y0GG98020	Bleed screw and O-ring
2	Y6TP12000	Clamp screw (M6 x 16)
3	Y1XW04000	Hose cover
* 4	Y13000100	TL-BR003 Funnel unit for M5 screw
* 5	Y1XW9801T	Diaphragm
* 6	Y1XW9802T	Cap
* 7	Y1XW9803T	Fixing screw
* 8	Y1XW98010	Diaphragm unit

Sep.-2022-4346B  
 © Shimano Inc. I

Specifications are subject to change without notice.

**SHIMANO**